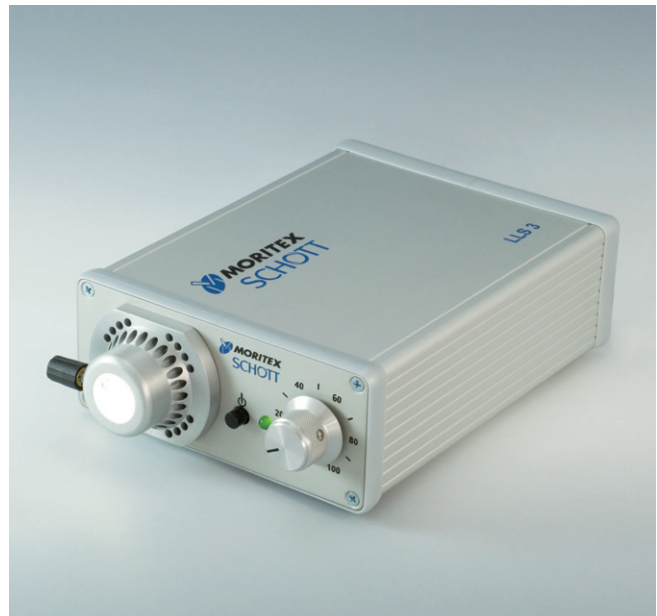


LED Light Source LLS3

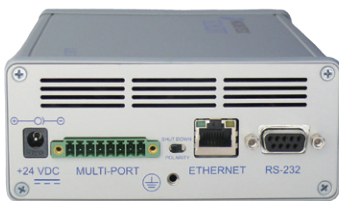


Longer Life, Lower Energy Consumption, Higher Performance

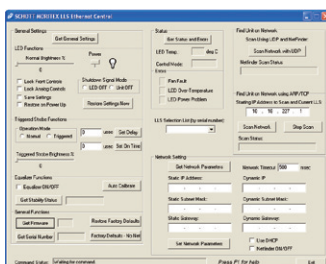
- Long life, efficient high output LED light engines
- COLDVision light guide compatible
- Internal light feedback for stabilized light output for the most demanding machine vision applications
- Low power consumption (< 35 Watts)
- Digital & analog remote control
- Fast triggered strobe capabilities (max 1 kHz pulse rate, max pulse width 1msec, duty 10%)
- Improved immunity to vibration & shock
- Small footprint and world-wide, universally compatible power supply
- RoHS compliant, CE approved



LLS 3-LED Light Source, A20970.1



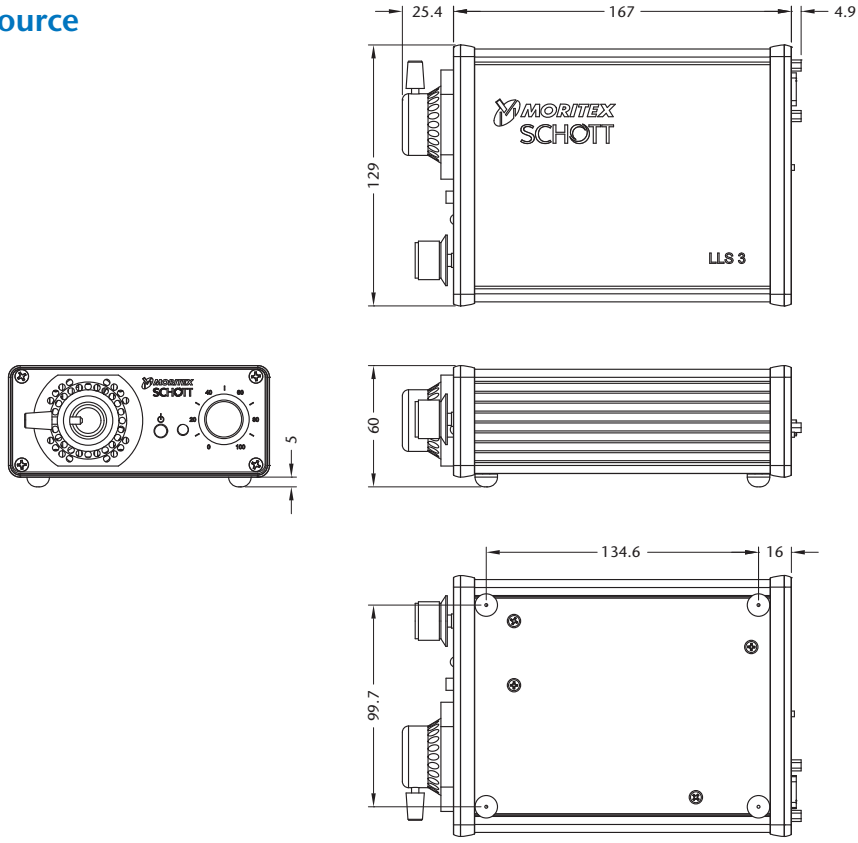
Rear View: Universal power, multi-port, Ethernet, and RS-232 inputs



Advantages of Both LEDs and Fiber Optics

- The LLS 3 enables the pairing of the long life, low power advantages of LEDs with the flexibility of fiber optic solutions and offers users 4 different modes of control interfaces – a continuous intensity control knob, Ethernet, RS-232, and an analog 0-5 V multi-port terminal.
- The auto-sensing inputs eliminate the need to switch manually between the modes and a user control lock-out can be implemented via the Ethernet and RS-232 supplied software.

LLS3 - LED Light Source

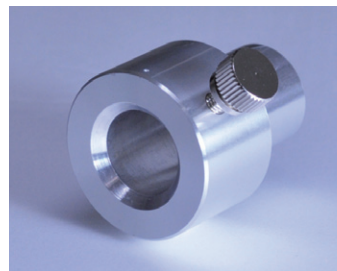


Characteristics

Dimensions	Length 197 mm (7.75 in) Width 129 mm (5.08 in) Height 63 mm (2.48 in)
Weight	862 grams (1.9 lbs)
Operating Temperature	5°C (41°F) to 40°C (104°F)

Option

Nosepiece Adapter



	Model
SCHOTT MORITEX Lightguides	LLS-LG-MTX
MegaLight	LLS-LG-MEGA

Part Number ¹	Color	Wavelength (nm)	Color Temperature	Light Output ²
A20970	Red	625	----	> 120 lm
A20970.1/6000	Cool White	----	~6,000 K	> 550 lm
A20970.1/3100	Warm White	----	~3,100 K	> 300 lm
A20970.2	Green	525	----	> 100 lm
A20970.4	Blue	470	----	> 40 lm
A20955	Mounting Bracket			

*Light output specifications are measured with a 1 m long, 13 mm diameter bundle (A08051.40 bundle)

The light output specification is the typical output and actual output may vary.

* Customer must specify power cord style when ordering