



Ringlight



Transmitted Light Stage



Spot Illuminator

## EasyLED Systems

*Ergonomic and compact illumination systems for stereo microscopy and macroscopy*

Using the most current technologies, the EasyLED product line integrated high brightness LEDs with controller electronics into the head of the illuminator. This integration combines easy, ergonomic operation with outstanding price performance ratio.

Due to neutral white LEDs (5600 K), images of excellent color fidelity can be achieved.

Robust metal housings and well designed heat sinks make maximum brightness and long lifetime of 30,000 hours possible.

### Features

- No separate controller box for ringlight and backlight. Compact controller box for single and double spotlight.
- Ringlight Plus version available with basic segment features and segment rotation. Easy and intuitive operation via integrated "jog dial" wheel.
- Ergonomic operating (not necessary to remove eyes from the eyepieces).
- Continuous dimming from 0 to 100%.
- All devices are separately dimmable.
- Wide input range power supply (100-240 V).
- World wide plug (clip system).
- Low costs for high quality and functionality.
- Manufactured in the EU.

### Basic segment features of Ringlight Plus



Full-circle mode



Semi-circle mode



Quarter-circle mode



Two quarter-circle mode

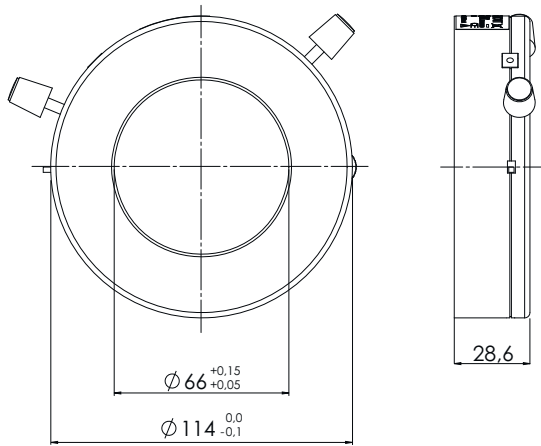
| Light Heads             |          |                             |                          |                        |              |
|-------------------------|----------|-----------------------------|--------------------------|------------------------|--------------|
| Description             | Part-No. | Free working distance (FWD) | Max. illuminance         | AdaptionØ              | Power supply |
| Ringlight System        | 600 200  | 55 - 135 mm (2.17" - 5.31") | 90 klx (at 75 mm FWD)    | 66 mm (2.60")          | 12 V, DC     |
| Ringlight Plus System   | 600 300  | 50 - 130 mm (1.97" - 5.12") | 140 klx (at 65 mm FWD)   | 66 mm (2.60")          | 12 V, DC     |
|                         |          | <b>Illuminated area</b>     | <b>Max. luminance</b>    | <b>AdaptionØ</b>       |              |
| Transmitted Light Stage | 600 400  | 50 mm (1.97")               | 12,000 cd/m <sup>2</sup> | 84 mm (3.31")          | 12 V, DC     |
|                         |          | <b>Front lens</b>           | <b>Max. light flux</b>   | <b>Adaption thread</b> |              |
| Spotlight System        | 600 100  | 17 mm (0.67")               | 40 lm                    | M6                     | 5 V, DC      |
| Double Spotlight System | 600 120  | 2 x 17 mm (0.67")           | 2 x 40 lm                | 2 x M6                 | 5 V, DC      |

| Adaptors for Transmitted Light Stage |         |
|--------------------------------------|---------|
| Ø 84 mm to Ø 100 mm                  | 157 600 |
| Ø 84 mm to Ø 120 mm                  | 157 610 |
| Ø 84 mm to Ø 180 mm                  | 157 620 |
| Ø 84 mm to Ø 90 mm                   | 157 630 |

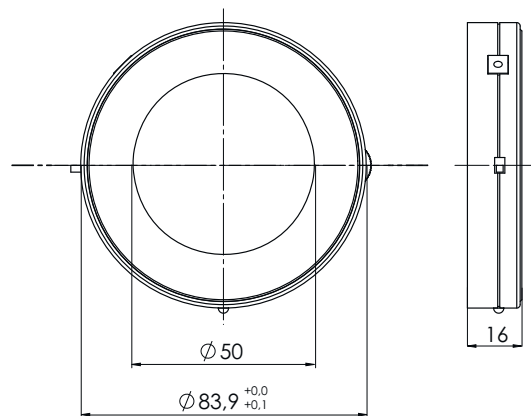
| Objective Adaptors |         |
|--------------------|---------|
| Ø 58 mm to Ø 66 mm | 157 450 |
| Ø 60 mm to Ø 66 mm | 157 452 |

Product improvements may result in specification or feature changes without notice.

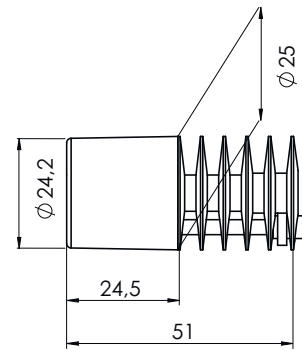
# EasyLED Lightheads



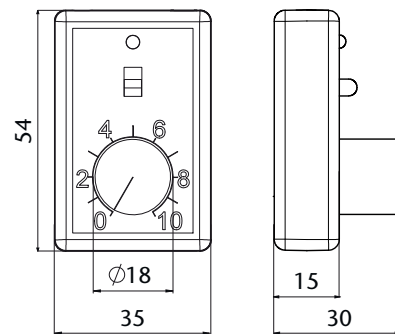
EasyLED Ringlight/Ringlight Plus



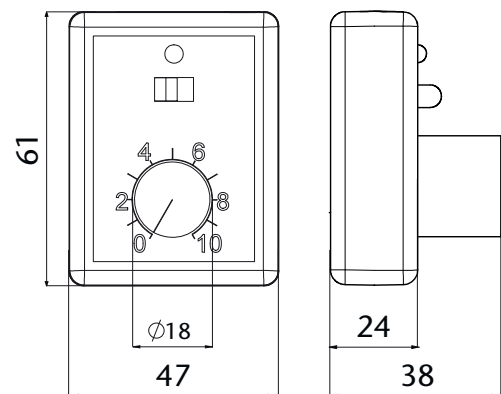
EasyLED Transmitted Light Stage



EasyLED Spot



EasyLED Spot Controller



EasyLED Double Spot Controller

Fiber Optics  
**SCHOTT AG**  
 Otto-Schott-Strasse 2  
 55127 Mainz  
 Germany

Phone: +49 (0)6131/66-7796  
 Fax: +49 (0)6131/66-7850  
[fiberoptics.info@schott.com](mailto:fiberoptics.info@schott.com)  
[www.schott.com/fiberoptics](http://www.schott.com/fiberoptics)

For your local sales contact please visit  
[www.schott.com/fiberoptics/english/contact](http://www.schott.com/fiberoptics/english/contact)

**SCHOTT**  
 glass made of ideas