

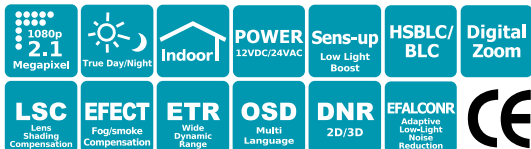
EQH5202

1080p HDcctv Box Camera



*Lens sold separately

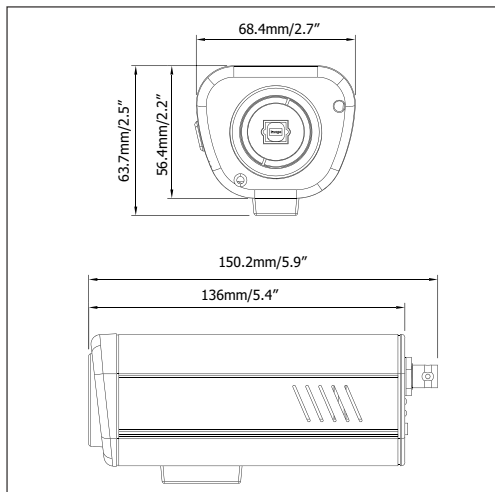
HDcctv



Features

- 2.1 Megapixel 1920x1080p HDcctv HD video over coax for superlative image detail
- CS/C mount, manual and DC iris control for flexible choice of HD Megapixel lenses
- Electronic Lens Shading Compensation for uniform image illumination across the desired field of view
- True Day/Night operation with automatic ICR module
- Provides 2D&3D DNR/EFALCONR/SENS-UP (up to 60x) to improve image clarity, particularly in low light scenes
- ETR (EverFocus Tone Reproduction) to deliver properly exposed images despite bright light sources, deep shadows and/or unbalanced lighting in the same scene
- EFECT (EverFocus Enhanced Contrast Technology) delivers recognizable images despite interference from fog or smoke
- Digital zoom increases effective lens magnification and includes PIP viewer for adjusting electronic pan, tilt and zoom
- HSBLC/BLC with programmable zones aid in control of image exposure and contrast in the presence of concentrated light sources such as automobile headlights or from deep shadows surrounding objects of interest
- Up to 8 Privacy Zones programmable for size, location and color detection
- Dead pixel compensation for increased clarity and extended service life
- Easy to use OSD setup menu for digital signal processing feature control
- SD TV Out to aim and focus using a standard hand held test monitor
- Dual Voltage Power Source 12VDC/24VAC

Dimensions



Specifications

Pickup Device	1/3" Panasonic 2.1 Megapixel Color Progressive CMOS sensor
Image Pixels	1920(H)x1080(V) with 2.75µx 2.75µ pixel size
HDcctv Image Area Dimensions	5.28mm (H) x 2.97 mm(W); ø 6.06 mm area diagonal
Sensitivity	0.4Lux/F=1.2; 0 Lux(IR LED ON)
S/N Ratio	Max. 50dB
Video Format Main Output	HDcctv
Video Resolution/Mode Main Output	1920x1080p 30/25
Main Output Connector	BNC
Video Format Test Output	NTSC/PAL selectable
Test Output Connector	Pin header; adapter cable to BNC supplied
Lens Type	C/CS mount, (Adapter included for C-mount; lens sold separately).
Lens Control	manual/DC iris control support
OSD Menu	Yes (controlled from 5-axis joystick control)
True Day/Night Control	Yes (Auto IR cut filter removal)
Electronic Shutter	Auto/Manual selectable
Polestar SENS-UP	Low light boost 2X~60X (recommended no more than 8X without careful consideration of application conditions)
EverFocus Tone Reproduction (ETR)	Off/Low/Medium/High (Electronic Wide Dynamic Range)
Lens Shading Compensation	Off/On
Back Light Compensation (HSBLC=Highlight Suppression Back Light Compensation)	Off/BLC/HSBLC BLC (select areas from 8x15 grid) HSBLC (4 zones programmable for size and location)
Auto Gain Control	Low/Middle/High
Auto White Balance	ATW/Push/Manual/Outdoor/Indoor Common Level Adjust 0~100
DNR	2D DNR – Off/On; 3D DNR – Off/On EFALCONR [EverFocus Adaptive Luminance Compensated Optimized Noise Reduction] – Off/On
EFECT (EverFocus Enhanced Contrast Technology)	Low/Middle/High EFECT improves contrast in smoke, fog and similar conditions]
Digital Zoom	2X~64X with optional PIP mode for ease of electronic pan/tilt alignment
Motion Identification	On screen highlighting of changing areas
OSD Text Color Control	Custom camera title; ability to change text display color and turn black text outline off/on to contrast with scene
Image Flip	Off/H Flip/V Flip/HV Flip (rotate 180°)
Programmable Privacy Zones	8 areas independently adjustable for size, location, color
OSD Text Language Selection	English / Traditional Chinese / Simple Chinese / Japanese
Dead Pixel Compensation	Dynamic Method Off/On/Auto; Static Method Off/On; separate adjustable threshold levels
Power Source	DC12V 220mA AC24V 155mA
Operating Environment	-0°C~45°C/32°F~113°F (20%~80% Humidity)
Dimensions (W x D x H)	68.4 x 63.7 x 150mm/2.7" x 2.5" x 5.9"
Weight	410g/0.90lbs
Certificates	CE, FCC

* Models vary in different countries. Please visit EverFocus regional websites for detailed ordering information
* Lens models and availability vary in different regions